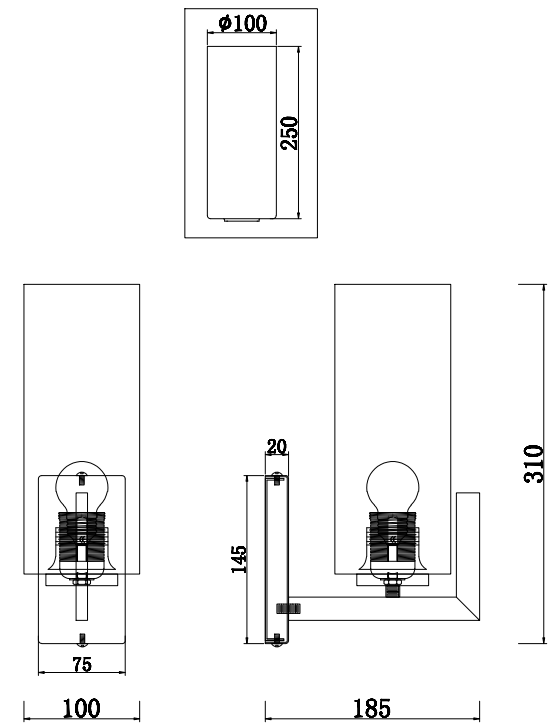
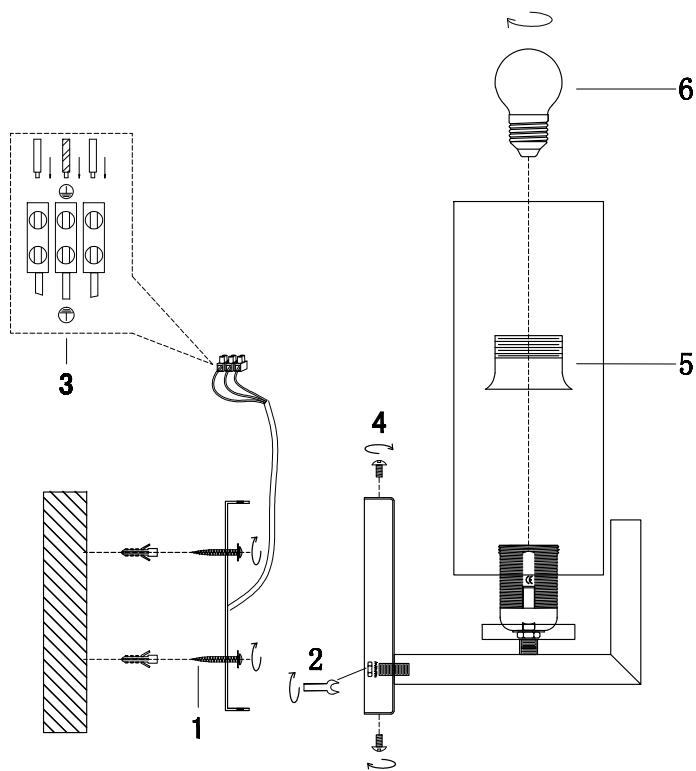


Instruction

MOD089WL-01BS



1 x E14 (40W)

Model: MOD089WL-01BS
Collection: Modern
Series: Fortano



Wall Lamps