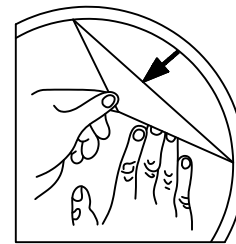
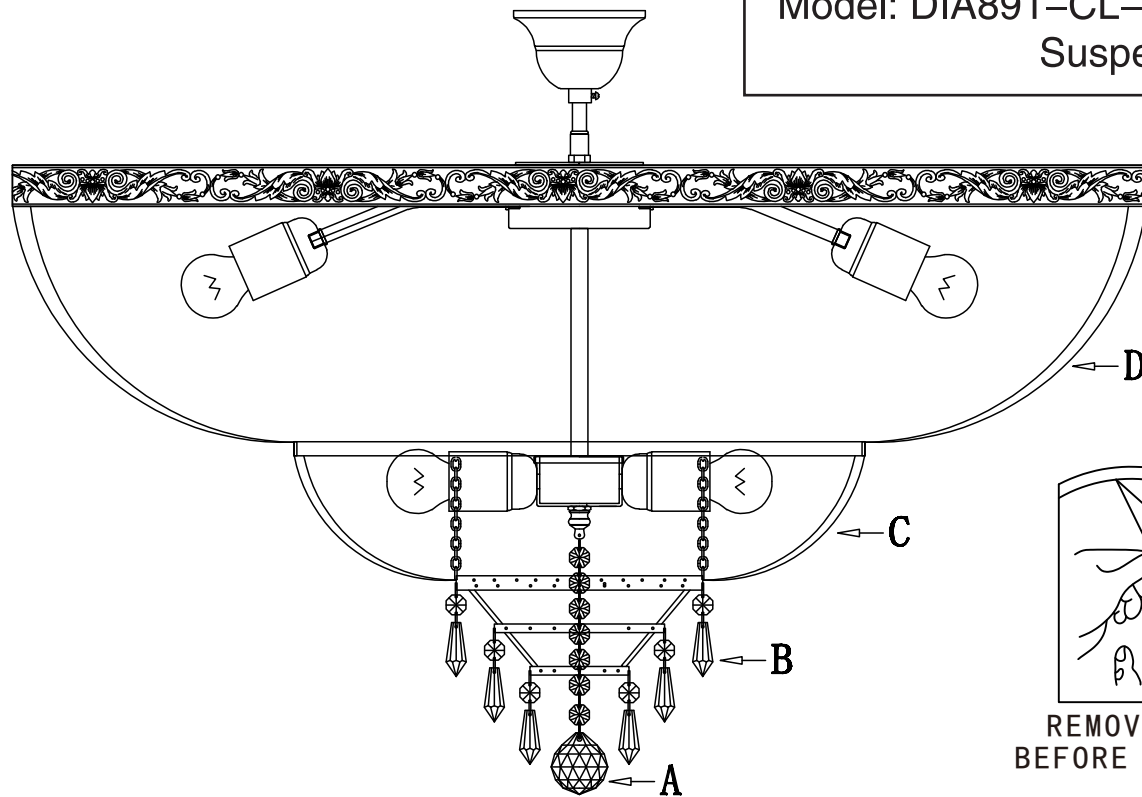


Instruction

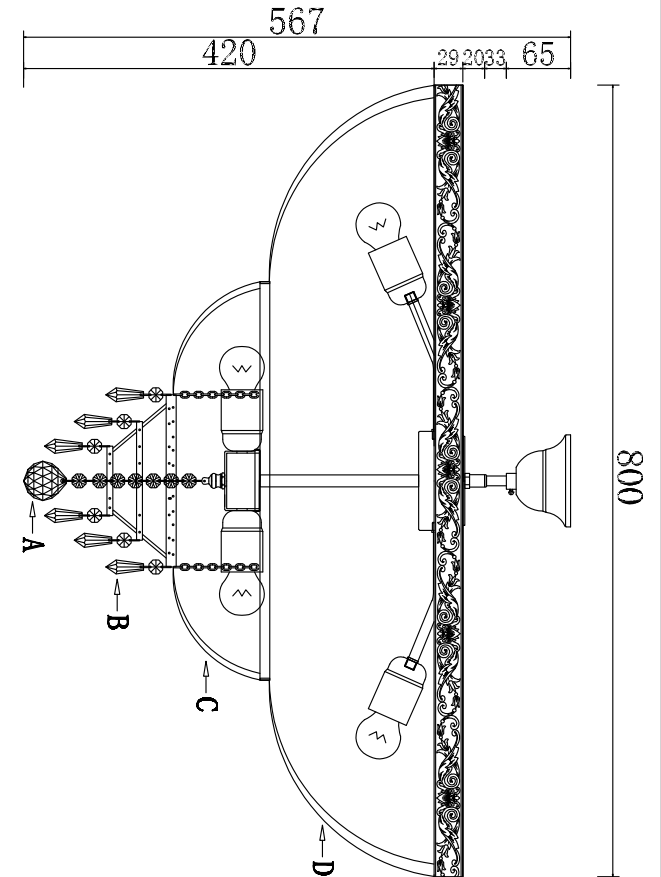
Collection: Diamant crystal
Series: Palace
Model: DIA891-CL-14-G
Suspended



REMOVE COVER
BEFORE USING LAMP



– Suspended



14 x E27 (60w)

MAYTONI
DECORATIVE LIGHTING

www.maytoni.de