

Safety Instructions

0, 1, 2, 4, 5b, 7, 8, 9, 11, 12, 15, 16, 17, 19, 20, 21, 23, 25, 29

Paulmann Licht GmbH
 Quezinger Feld 2
 D-31832 Springe
www.paulmann.com
 ☎ +49 (0) 5041 998 389
 Mon. - Do. ☀ 7⁰⁰ - 20⁰⁰
 Fr. ☀ 7⁰⁰ - 17⁰⁰

INFO-LINE

A

B

C

	 [mm]	 Security	 [mm]	 Security	 [mm]	 Security	 [mm]
	68	50	60	35	60	50	90
	70	50	60	35	60	50	90

D

E

F

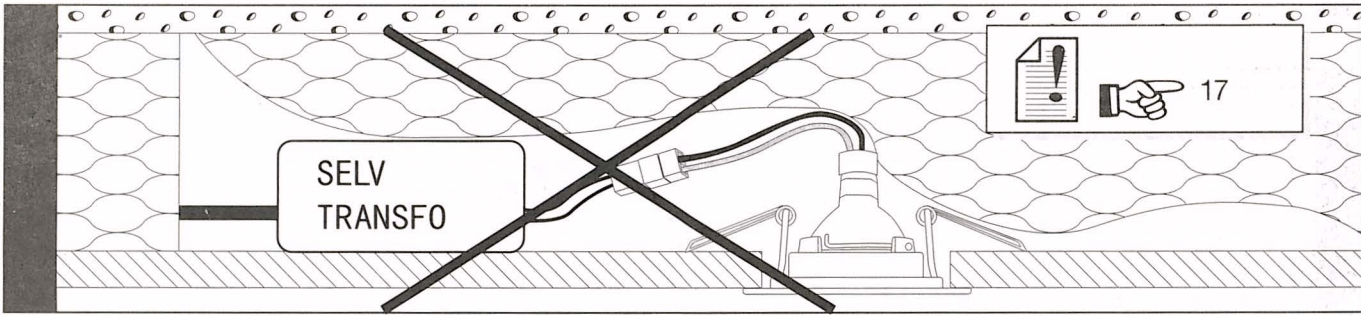
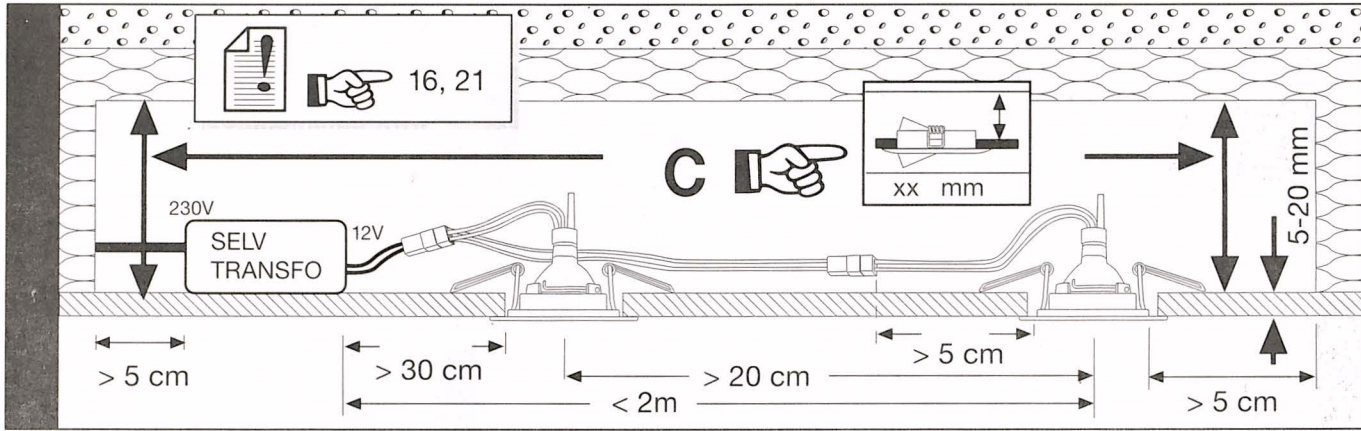
G


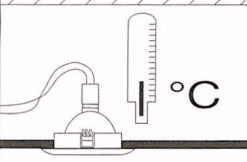




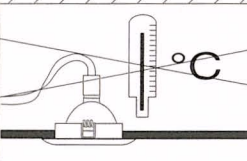

H

I

J

>0,5m = 9



 Paulmann SECURITY		  <p>20 % 80 %</p>	 <p>Art. No. 20 W 51mm GU5,3 832.21 35 W 51mm GU5,3 832.31 50 W 51mm GU5,3 832.51</p>
		 <p>60 % 40 %</p>	

